

TECHNICAL DATASHEET

V1.2 - march 2023

GIESEN[®]
coffee-roasters

W30A

Gas coffee roaster

Roast big, roast W30A

Our W30A roaster is handcrafted and comes with multiple included features. With Giesen Profiler, you can create, repeat, and save roasting profiles or recipes. **The included, external cyclone** removes the chaffs automatically from the roasted beans. Everything you need for the best roasting experience.

Roast with maximum control

Monitor the roasting process with the control tower system, which can be operated with a touchscreen. Easily adjust the temperature, power, fan speed and drum speed. Parameters are all visible on the screen and every adjustment can be controlled. The perfect features for high-quality and consistent roasting.

Why a Giesen W30A roaster?

Tom Osborne, owner of Craft House Coffee explains; *"We love our W30A because it's powerful, a delivery of energy and consistent. Besides that, it's well-built and the styling is unparalleled! The burners are super easy to control, and the roaster is very quiet. It's the perfect roaster for us."*



Tom Osborne



Full control

We don't want to limit your coffee roasting options. That is why options such as airflow, drum speed and power control are **included as standard**. Take advantage of the freedom a Giesen roaster gives you!

Support and service

When it comes to service and support, our team is unparalleled. Our knowledgeable experts and user-friendly tools enable us to offer **exceptional customer service**, guaranteeing complete satisfaction with our products.

Dutch design

Our goal is to create roasters that bring a smile to your face, embodying your personality and filling you with pride. With a vast array of design options, you have the ability to **fully customize** your roaster to your exact preferences.

GIESEN[®]
coffee-roasters

Giesen Coffee Roasters

+31 (0) 315 68 13 77
Industrieweg 15
7071 CK Uft
The Netherlands

Online

www.giesen.com



Sales

sales@giesen.com

Support

support@giesen.com

Ranges

Underpressure range	100 – 170 Pa (min. - max.) Default value: 130 Pa
Drum range <i>Hz and RPM can be selected</i>	37 – 52 Hz (min. - max.) Default value: 47 Hz
Temp. setpoint range <i>°C and °F can be selected</i>	100 – 250 °C (min. - max.) Default value: 200 °C

Certifications

CE (standard)

General specifications

Measurements	4147 (L) x 1272 (W) x 2518 (H)
Weight	<i>On request</i>
Minimum batch size	15 kg
Maximum batch size	30 kg
Sound level	70 dB (A)

Electrical specifications

Supply voltage	400V AC L1+L2/N + PE Supply frequency: 50 – 60 Hz
External fusing	3 x 25A
Max. electrical power	5,1 kW

Chimney specifications

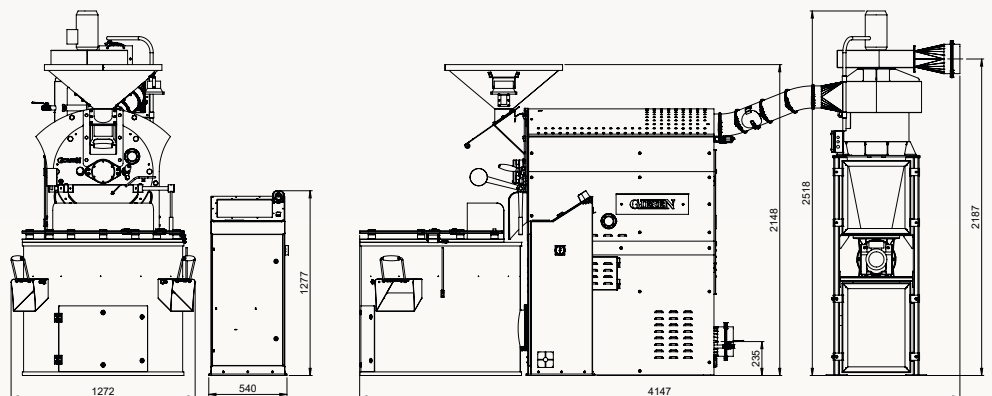
Chimney diameter	Ø 200 mm
-------------------------	----------

Gas specifications

Gas connection	G 1/2" (M)
Max. gas consumption	
I2E / I2H / IRE+ (G20)	6.95 m³/h
I2L / I2EK (G25 / G25.3)	6.23 m³/h
I3B/P / I3+ / I3B (G30)	2.41 m³/h
I3P (G31)	1.73 m³/h
Gas inlet pressure	
I2L / I2EK (G25 / G25.3)	25 mbar
I2E / I2H / IRE+ (G20)	20 mbar
I3P (G31)	30 / 37 / 50 mbar
I3B/P / I3+ / I3B (G30)	30 / 29 / 50 mbar

Additions

- Giesen Profiler
- Destoner
- Green Coffee Conveyor
- CEC Catalytic Emission Cleaner



Get adequate information or a personalized quote by scanning the QR code. It's quick, easy, and convenient - the perfect way to get the information you need in no time!